

**TOROS**

**SHANDONG TOROS MACHINERY CO., LTD.**

Address: Safety Equipment Industrial Park, High-tech Zone, Jining Shandong, China

Website: [www.torosce.com](http://www.torosce.com)



**MINI DUMPER**  
SHANDONG TOROS MACHINERY CO., LTD.



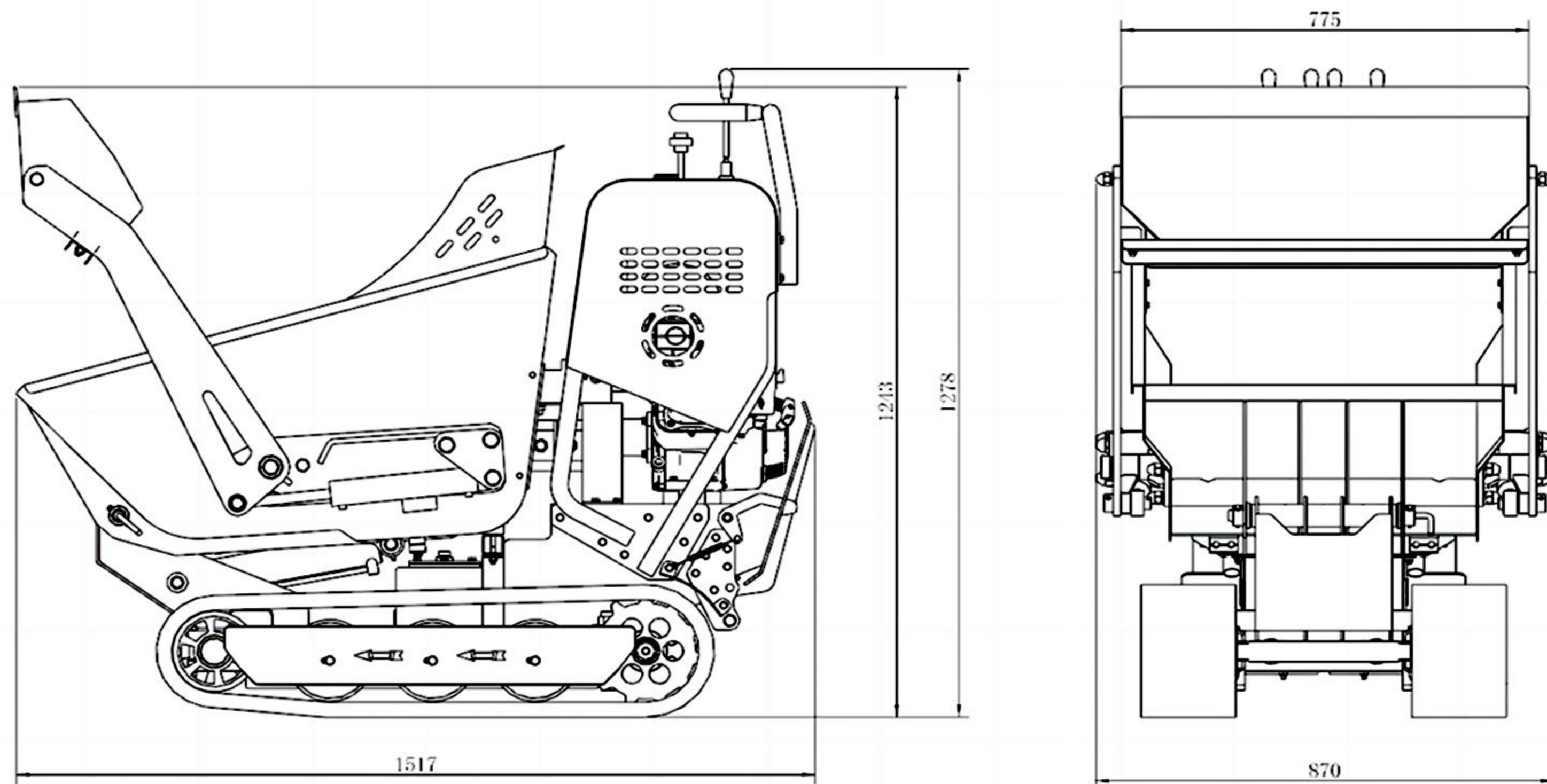
Model	TRS-05B	
Machine weight	400Kg	
Maximum load	500Kg	
Engine	Brand	Briggs & Stratton
	Displacement	208cc
	Total power (HP)*@3600rpm	6.5 (4.8KW/3600)
	Fuel capacity	3.1L
	Oil capacity	0.6L
	Net weight	16.0kg
Travel motor	Brand	LeCroy Hydraulics
	Displacement	200cc
	Maximum working pressure	20MPa
	Maximum torque	805Nm
Walking speed	1.7/3.5 (km/h)	
Minimum turning radius	0.95m	
Track center distance	520mm	
Minimum ground clearance	85mm	
Gradeability	20°	
Hydraulic oil tank capacity	7L	
Hydraulic oil product number	46# anti-wear hydraulic oil	
Container volume	0.22 (1040*730*590) m <sup>3</sup>	
Length x width x height	1517x870x1278 (mm)	

## TRS-05B HYDRAULIC SERIES MINI DUMPER



### TRS-05B MINI DUMPER

- TOROS introduces the new mini dumper - offering maximum versatility and light-touch operation.
- For indoor or outdoor use, the compact body design fits through wide and narrow doorways.
- The new TRS-05B mini dumper means operators have options for garden or home applications.



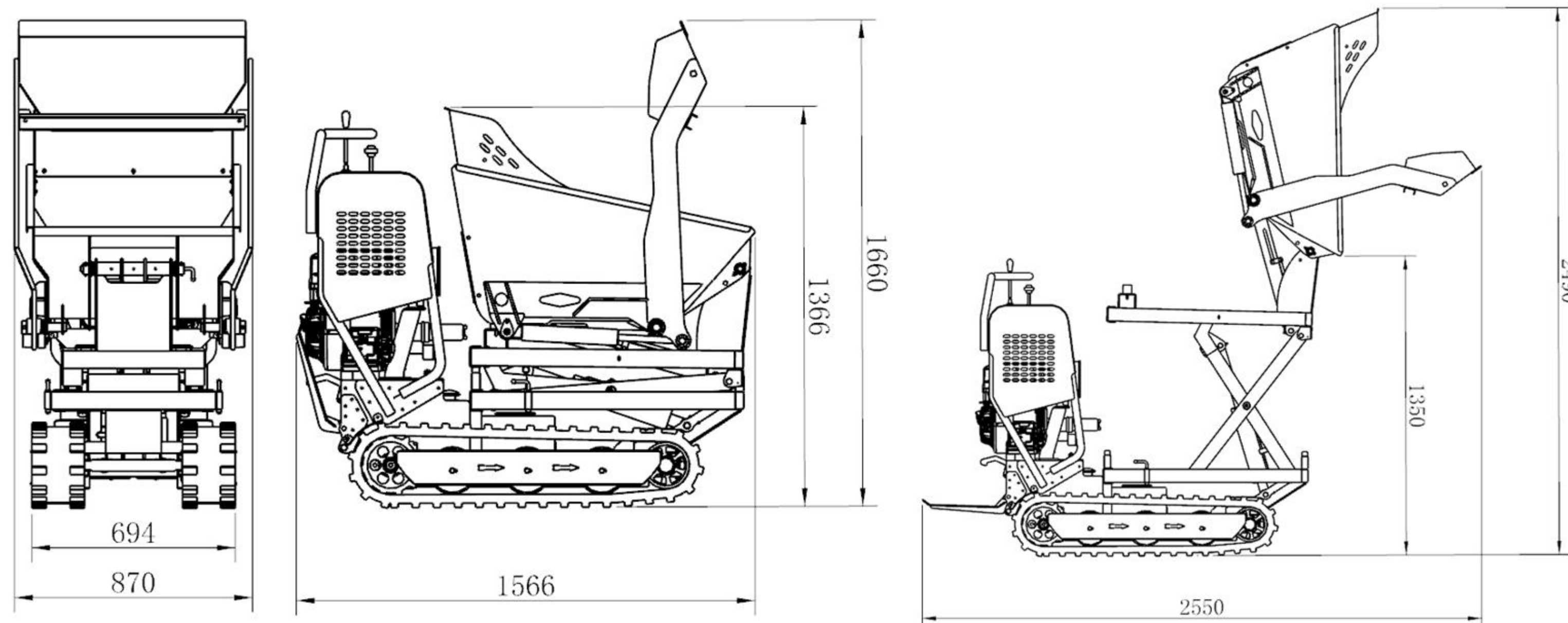
Model	TRS-05A	
Machine weight	520kg	
Maximum load	500kg	
Engine	Brand	Briggs & Stratton
	Displacement	306cc
	Total power (HP)*@3600rpm	10 (7.4KW/3600)
	Fuel capacity	5.3L
	Oil capacity	1.1L
	Net weight	25kg
Travel motor	Brand	LeCroy Hydraulics
	Displacement	200cc
	Maximum working pressure	20MPa
	Maximum torque	805Nm
Walking speed	1.7/3.5 (km/h)	
Minimum turning radius	0.95m	
Track center distance	520mm	
Minimum ground clearance	85mm	
Gradeability	20°	
Hydraulic oil tank capacity	7L	
Hydraulic oil product number	46# anti-wear hydraulic oil	
Container volume	0.22(1040*730*590) m <sup>3</sup>	
Length x width x height	1517x870x1278 mm	

## TRS-05A HYDRAULIC SERIES MINI DUMPER



### TRS-05A MINI DUMPER

- TOROS introduces the new mini dumper - offering maximum versatility and light-touch operation.
- For indoor or outdoor use, the compact body design fits through wide and narrow doorways.
- The new TRS-08A mini dumper means operators have options for garden or home applications.



Model	TRS-08A	
Machine weight	720kg	
Maximum load	800kg	
Engine	Brand	Briggs & Stratton
	Displacement	306cc
	Total power (HP)*@3600rpm	10 (7.4KW/3600)
	Fuel capacity	5.3L
	Oil capacity	1.1L
	Net weight	25kg
Travel motor	Brand	Songheng Hydraulic
	Displacement	315cc
	Maximum working pressure	16MPa
	Maximum torque	730Nm
Walking speed	2.1/4.2 (km/h)	
Minimum turning radius	1.35m	
Track center distance	620mm	
Minimum ground clearance	85mm	
Gradeability	20°	
Hydraulic oil tank capacity	16L	
Hydraulic oil product number	46# anti-wear hydraulic oil	
Container volume	0.26 (1235*730*590) m <sup>3</sup>	
Length x width x height	1982x870x1680 mm	

## TRS-08A HYDRAULIC SERIES MINI DUMPER



### TRS-08A MINI DUMPER

- TOROS introduces the new mini dumper - offering maximum versatility and light-touch operation.
- For indoor or outdoor use, the compact body design fits through wide and narrow doorways.
- The new TRS-08A mini dumper means operators have options for garden or home applications.

